

CUSTOMER ORDER FORM

CUSTOMER NAME:

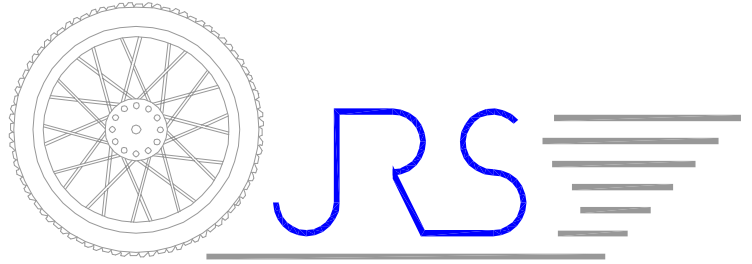
CUSTOMER CONTACT DETAILS:

MAKE:

MODEL:

YEAR:

CUSTOMER REFERENCE / JOB NUMBER:

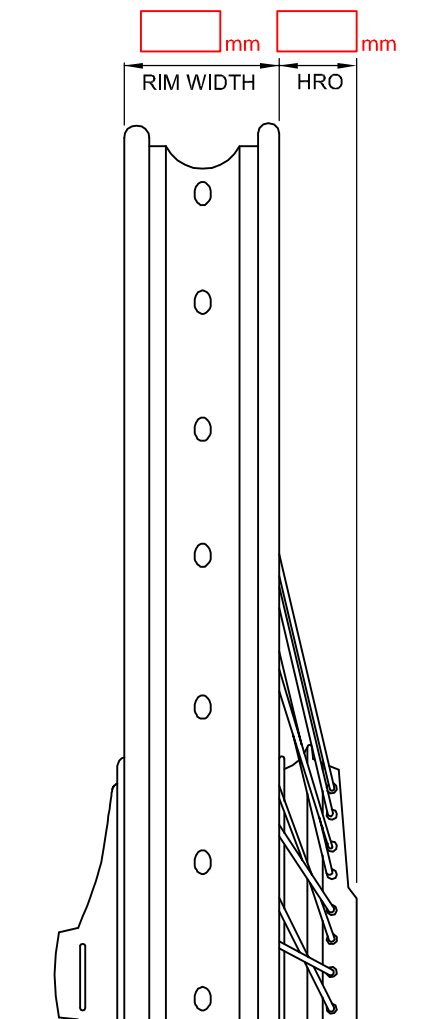


WHEEL LOCATION: FRONT / REAR (DELETE AS APPLICABLE)

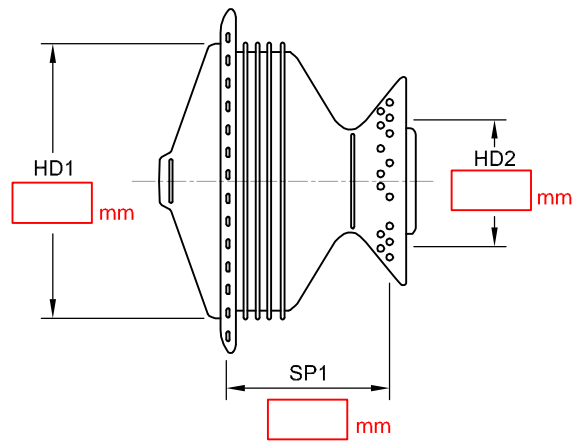
ENTER DIMENSIONS IN RED BOXES IN mm (MILLIMETERS)

WHEEL HUB AND SPOKE CENTRE DIMENSIONS

HUB TO RIM OFFSET



ONE SIDE HUB



FULL HUB

